

Lexmark W850 Series

Lexmark W850n Lexmark W850dn

 11 X 17

 PRINT

 UP TO 50 PPM

 NETWORK



A powerful performer
for business printing



LEXMARK[™]

Print Less. Save More.

Print less? This may seem like a surprising message for a company dedicated solely to printing. But when you consider that businesses spend on average up to 6% of their revenue on printing and that active print management can cut office print costs by up to 30%¹, it makes a lot of sense. Lexmark products, solutions and services provide innovative ways to save you time, drive down costs and reduce your impact on the environment. We are committed to helping you print less and save more.

¹ Source: InfoTrends/CapVentures, Network Document Solutions Forecast 2007-2012, Network Document Solutions Consulting Service, August 2008

To reach your true productivity potential, you need to leverage technology that can make a real difference. The Lexmark W850 Series delivers game-changing power and performance at every level. These robust printers provide the exceptional input capacity and reliability that print-intensive workgroups demand, with the added advantages of 11 x 17 inch (tabloid) media support and optional finishing. With innovative ease-of-use features and built-in intelligence that keeps the print queue flowing, the Lexmark W850 Series is your clear path to greater efficiency.



Serious printing performance

Equipped with a powerful processor and impressive memory, Lexmark W850 Series printers will zip through complex print jobs with ease. Enhance your productivity with print speeds up to 50 ppm and the first page out in as few as 6 seconds when printing letter-size documents.

- Experience a serious performance boost with 800MHz processing and 256MB RAM standard
- Enhance important business documents with 1200 x 1200 dpi printing
- Discover the speed and efficiency of Gigabit networking
- Add the optional hard disk for even greater functionality



Smart efficiency features

Reliable high-speed printing is a must-have. But in today's competitive business landscape, upgrading to the latest technology can take you to an even higher plane of productivity and efficiency. The Lexmark W850 Series has innovative and intelligent technology to maximize your uptime and help you make the most of your resources.

- When a print job is launched without the appropriate media loaded, Job Waiting keeps the other jobs flowing (hard disk required)
- Direct Web printing gives you simple, on-demand printing of Web-based reports and documents
- The Lexmark Embedded Solutions Framework makes it easy for Lexmark or its partners to deploy customized document-management and workflow solutions to your printer. (Contact a Lexmark representative to learn more.)



Exceptional versatility

From start to finish, the Lexmark W850 Series is ideal for large print volumes and adapts seamlessly to virtually any type of job – covering a broad array of media types and paper sizes. Opt for additional drawers to boost your total input capacity and the finisher option to complete your print runs with a professional touch.

- Finish the job with stapling, hole punching (2/3 or 2/4 holes) and offset stacking
- Add extra drawers to expand your input capacity up to 5,100 sheets
- Connectivity options include fiber optic and wireless

Prints black, thinks green

Printing responsibly means everyone wins – your business, your budget and the environment. Lexmark W850 Series printers are designed with sustainability in mind. They're incredibly quiet and equipped with a range of eco-conscious features to help you print greener at every phase of your business.

- The W850dn model features built-in duplex printing to reduce paper consumption (optional on W850n)
- Eco-Mode reduces power consumption
- Quiet Mode setting allows ultra-quiet operation
- Free recycling of empty toner cartridges through the Lexmark Cartridge Collection Program



Lexmark W850 Series

Explore the features that keep you moving



Flexible finishing

Create professional documents in-house with the optional finisher (staple, hole-punch, offset stacking).



Direct USB

Convenient Direct USB port lets you print PDFs and other image files directly from a portable memory device.



Secure PIN release

Protect sensitive documents by using the numeric pad to release confidential jobs.



Easy operation

The four-line graphical display offers intuitive visuals for exceptionally simple user operation.



Wireless capability

Break free from network cables with the Wi-Fi CERTIFIED™ wireless print server option.



Expandable input

With available input capacity for up to 5,100 sheets, you'll spend more time printing and less time loading paper drawers.

Rock-solid reliability!

Introducing the Lexmark W850 Series. These high-speed monochrome laser printers deliver professional results, outstanding performance and first-rate versatility for all your high-volume printing needs.

Backed by Lexmark's proven track record in product innovation, they ensure maximum uptime while delivering fast, high-quality pages year after year.

In addition, you'll benefit from Lexmark's solid 1-Year Onsite Service warranty, which provides you with next-business-day response. (See Lexmark Statement of Limited Warranty for full details)

Discover a truly reliable solution that meets your highest expectations!

The Productivity Checklist

If you've got all these, then you've got a Lexmark!



Intelligent Job Waiting

One person's setback should never mean a bottleneck for the whole workgroup. For example, why lose precious uptime when someone launches a print job that requires labels but no labels are loaded. Lexmark's Job Waiting feature will simply hold that job aside while everyone else goes on working without interruption (hard disk required).

Cutting-edge security

From network security to user-access restrictions, Lexmark makes sure you're fully equipped with the tools you need to keep your valuable corporate data safe and sound. In addition to IPSec, SNMPv3 and 802.1x network security, the Lexmark W850 Series offers a numeric pad for easy PIN authentication, plus encryption and disk wiping to secure the optional hard disk.

Simplified management

Take a load off your IT department. Lexmark W850 Series printers are network-ready and very easy to set up. If you have multiple Lexmark devices installed, the Lexmark Universal Driver offers even easier deployment. Once you're up and running, Lexmark MarkVision™ Professional software provides simplified remote management and automated tools to keep your workday flowing.

Optional finishing

By equipping your printer with the tools you need to print business-quality documents on demand and in-house, you'll save time and money by eliminating extra handling and storage. The finishing option staples, hole-punches (2/3 or 2/4 holes) and conveniently offset-stacks your print jobs.

Lexmark's guarantee to you

Lexmark's 1-Year Onsite warranty on the Lexmark W850 Series provides added peace of mind. Enhanced service offerings are available by contacting your Lexmark representative or visiting www.lexmark.com. Optimize your printer's performance and investment value by using genuine Lexmark supplies, service and parts.

(See Lexmark Statement of Limited Warranty for full details)

Get exactly the performance you need



Lexmark W850n

A powerful performer for business printing

- Up to 50 ppm print speed
- Fast Gigabit networking
- 800MHz processor
- 256MB standard memory
- 1,100-sheet standard input, 5,100-sheet maximum
- 500-sheet standard output, 3,800-sheet maximum
- Toner cartridge yield: up to 35,000* pages
- Recommended monthly volume: 15,000 to 59,000 pages

* Average standard page yield value declared in accordance with ISO/IEC 19752.



Lexmark W850dn

All the benefits of the W850n, plus two-sided printing

- Paper-saving duplex printing built in

	Lexmark W850n	Lexmark W850dn
Printing		
Print Technology	Monochrome Laser	
Print Speed (Letter, Black): Up to	50 ppm	
Time to First Page (Black)	As fast as 6 seconds	
Print Resolution, Black	1200 x 1200 dpi, 2400 Image Quality, 600 x 600 dpi	
Memory, Standard	256 MB	
Memory, Maximum	1280 MB	
Print Noise Level, Operating	55 dBA	
Noise Level, Idle	22 dBA	
Maximum Monthly Duty Cycle: Up to	300,000 pages per month	
Recommended Monthly Page Volume	15,000 - 59,000 pages	
Supplies		
Supplies Yield (*Average standard page yield value declared in accordance with ISO/IEC 19752.)	35,000*-page High Yield Toner Cartridge	
Cartridge(s) Shipping with Product	35,000*-page High Yield Toner Cartridge	
Paper Handling		
Paper Handling Standard	500-Sheet Output Bin, Two 500-Sheet Trays, 100-Sheet Multipurpose Feeder	500-Sheet Output Bin, Duplex Unit, Two 500-Sheet Trays, 100-Sheet Multipurpose Feeder
Paper Handling Optional	Duplex Unit, 2,000-Sheet High-Capacity Feeder, 2,000-Sheet Dual Input, 2 x 500-Sheet Drawer, 3,500-Sheet Finisher	2,000-Sheet High-Capacity Feeder, 2,000-Sheet Dual Input, 2 x 500-Sheet Drawer, 3,500-Sheet Finisher
Paper Input Capacity, Standard: Up to	1,100 pages 20 lb or 75 gsm bond	
Paper Input Capacity, Maximum: Up to	5,100 pages 20 lb or 75 gsm bond	
Paper Output Capacity, Standard: Up to	500 pages 20 lb or 75 gsm bond	
Paper Output Capacity, Maximum: Up to	3,800 pages 20 lb or 75 gsm bond	
Media Types Supported	Card Stock, Envelopes, Paper Labels, Plain Paper, Transparencies, Refer to the Card Stock & Label Guide	
Media Sizes Supported	10 Envelope, 7 3/4 Envelope, A3, A4, A5, C5 Envelope, DL Envelope, Executive, Folio, JIS-B4, JIS-B5, Ledger, Legal, Letter, Statement, Universal	
Compatibility		
Network Protocol Support	TCP/IP IPv4, IPX/SPX, AppleTalk™, LexLink (DLC), TCP/IP IPv6, TCP, UDP	
Printer Languages (Standard)	PCL 5e Emulation, PCL 6 Emulation, Personal Printer Data Stream (PPDS), PostScript 3 Emulation, x-HTML, PDF 1.6, Direct Image, Microsoft XPS (XML Paper Specification)	
Standard Ports	One Internal Card Slot, Gigabit Ethernet (10/100/1000), Hi-Speed USB Port Compatible with USB 2.0 Specification (Type B), Front Hi-Speed USB Port Compatible with USB 2.0 Specification (Type A), Rear Hi-Speed USB Port Compatible with USB 2.0 Specification (Type A)	
Microsoft Windows Operating Systems Supported	2000, XP, Server 2003, XP x64, Server 2003 running Terminal Services, 2000 Server running Terminal Services, Server 2003 x64, Server 2003 x64 running Terminal Services, Vista, Vista x64, Server 2008, Server 2008 x64, Server 2008 running Terminal Services, Server 2008 x64 running Terminal Services, Windows 7	
Apple Macintosh Operating Systems Supported	Mac OS X, Mac OS 9.2	
Other Operating Systems Supported	www.lexmark.com	
General		
Product Warranty	1-Year Onsite Service, Next Business Day	
Product Certifications	www.lexmark.com	
Size (in. - H x W x D)	20.0 x 25.25 x 20.5 in.	22.75 x 25.25 x 20.5 in.
Weight (lb.)	100.5 lb.	109 lb.
Specified Operating Environment	Temperature: 16 to 32°C (60 to 90°F), Humidity: 8 to 80% Relative Humidity, Altitude: 0 - 3048 Meters (10,000 Feet)	

Recommended Monthly Page Volume

<Recommended Monthly Page Volume> is a range of pages that helps customers evaluate Lexmark's product offerings based on the average number of pages customers plan to print on the device each month. Lexmark recommends that the number of pages per month be within the stated range for optimum device performance, based on factors including: supplies replacement intervals, paper loading intervals, speed, and typical customer usage.

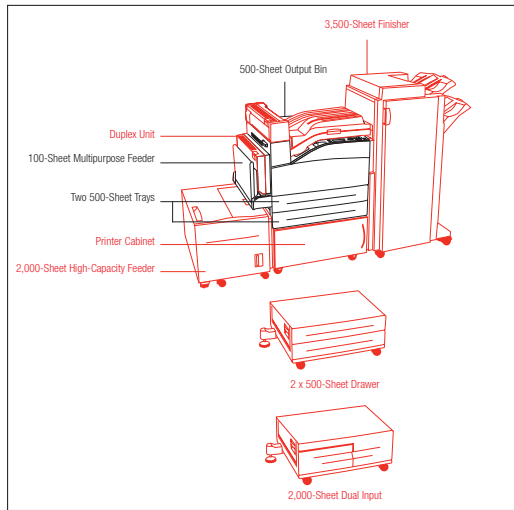
Maximum Monthly Duty Cycle

<Maximum Monthly Duty Cycle> is defined as the maximum number of pages a device could deliver in a month using a multishift operation. This metric provides a comparison of robustness in relation to other Lexmark printers and MFPs.

Trademarks

Lexmark and Lexmark with the diamond design are trademarks of Lexmark International, Inc., registered in the United States and/or other countries. All other trademarks are the property of their respective owners. PCL is a registered trademark of Hewlett-Packard Company. AppleTalk, Mac and Macintosh are trademarks of Apple Computer, Inc., registered in the United States and other countries. MarkNet and MarkVision are trademarks of Lexmark International, Inc., registered in the United States and/or other countries. The USB-IF logo are trademarks of Universal Serial Bus Implementers Forum, Inc. Microsoft, Windows, the Windows logo, Windows Vista, and the Windows Vista logo are trademarks or registered trademarks of Microsoft Corporation in the United States and/or other countries. Citrix, MetaFrame and MetaFrame XP are registered trademarks or trademarks of Citrix Systems, Inc. in the U.S. and other countries. Information in this document is subject to change without notice.

Lexmark W850n



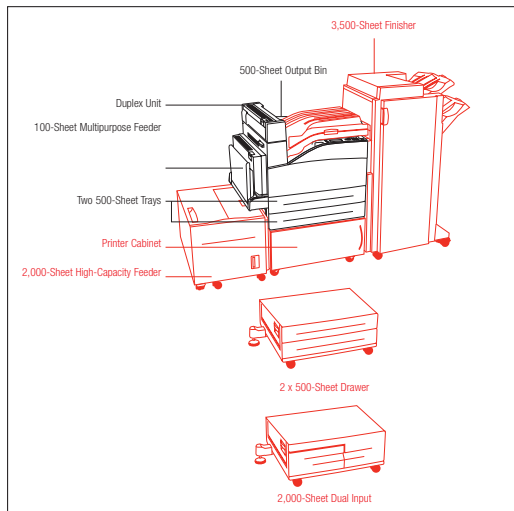
■ Paper Handling Standard
■ Paper Handling Optional

Part #	Model
19Z0300	Lexmark W850n
Part #	Laser Toner/Print Cartridge
W850H21G	W850 High Yield Toner Cartridge
W850H22G	W850 Photoconductor Kit
25A0013	Staple Cartridges (3 pack)
Part #	Paper & Transparencies
70X7240	Laser Printer Transparencies (Letter)
Part #	Paper Handling
25A0015	W850 Duplex Unit
15R0120	2000-Sheet Dual Input
15R0146	2 x 500-Sheet Drawer
15R0145	High Capacity Feeder
15R0144	Finisher (2/3-Hole)
Part #	Furniture
15R0140	Printer Cabinet
Part #	Memory Options
1025041	256MB DDR2-DRAM
1025042	512MB DDR2-DRAM
1025043	1024MB DDR2-DRAM
14F0245	256MB Flash Card
14F0102	80+GB Hard Disk
30G0828	Japanese Font Card
30G0825	Korean Font Card
30G0826	Simplified Chinese Font Card
30G0827	Traditional Chinese Font Card
Part #	Application Solutions
30G0829	Lexmark PrintCryption Card
19Z0033	W850 Card for IPDS/SCS/TNe
19Z0032	W850 Forms and Bar Code Card
Part #	Connectivity
1021294	USB Cable (2-meter)
14F0042	MarkNet N8130 Fiber Ethernet 100BaseFX, 10BaseFL Print Server
14F0040	MarkNet N8150 802.11b/g/n Wireless Print Server
14T0145	Lexmark N4050e 802.11g Wireless Print Server
14F0000	Parallel 1284-B Interface Card
1021231	Parallel Cable (10-foot)

Part #	Model
14F0100	RS-232C Serial Interface Card
Part #	Extended Warranties
2351516	W850 2-Years Total (1+1) Onsite Service, Next Business Day
2351517	W850 3-Years Total (1+2) Onsite Service, Next Business Day
2351518	W850 4-Years Total (1+3) Onsite Service, Next Business Day
2351519	W850 5-Years Total (1+4) Onsite Service, Next Business Day
2351520	W850 1-Year Onsite Service Renewal, Next Business Day
Part #	User Replaceable Parts
40X0956	W850 Fuser Maintenance Kit 110-120V
Part #	Installation Service
2351541	W850 Install, De-Install Service

In the box
 Lexmark W850n Laser Printer, Up to 35,000*-page High Yield Toner Cartridge, Photoconductor kit, Software and Documentation CD, Setup Guide or sheet (network and local attachment), Power cord(s), Statement of limited warranty / guarantee, Lexmark Cartridge Collection Program information, Safety sheet or booklet

Lexmark W850dn



■ Paper Handling Standard
■ Paper Handling Optional

Part #	Model
19Z0301	Lexmark W850dn
Part #	Laser Toner/Print Cartridge
W850H21G	W850 High Yield Toner Cartridge
W850H22G	W850 Photoconductor Kit
25A0013	Staple Cartridges (3 pack)
Part #	Paper & Transparencies
70X7240	Laser Printer Transparencies (Letter)
Part #	Paper Handling
15R0120	2000-Sheet Dual Input
15R0146	2 x 500-Sheet Drawer
15R0145	High Capacity Feeder
15R0144	Finisher (2/3-Hole)
Part #	Furniture
15R0140	Printer Cabinet
Part #	Memory Options
1025041	256MB DDR2-DRAM
1025042	512MB DDR2-DRAM
1025043	1024MB DDR2-DRAM
14F0245	256MB Flash Card
14F0102	80+GB Hard Disk
30G0828	Japanese Font Card
30G0825	Korean Font Card
30G0826	Simplified Chinese Font Card
30G0827	Traditional Chinese Font Card
Part #	Application Solutions
30G0829	Lexmark PrintCryption Card
19Z0033	W850 Card for IPDS/SCS/TNe
19Z0032	W850 Forms and Bar Code Card
Part #	Connectivity
1021294	USB Cable (2-meter)
14F0042	MarkNet N8130 Fiber Ethernet 100BaseFX, 10BaseFL Print Server
14F0040	MarkNet N8150 802.11b/g/n Wireless Print Server
14T0145	Lexmark N4050e 802.11g Wireless Print Server
14F0000	Parallel 1284-B Interface Card
1021231	Parallel Cable (10-foot)
14F0100	RS-232C Serial Interface Card

Part #	Model
14F0100	RS-232C Serial Interface Card
Part #	Extended Warranties
2351516	W850 2-Years Total (1+1) Onsite Service, Next Business Day
2351517	W850 3-Years Total (1+2) Onsite Service, Next Business Day
2351518	W850 4-Years Total (1+3) Onsite Service, Next Business Day
2351519	W850 5-Years Total (1+4) Onsite Service, Next Business Day
2351520	W850 1-Year Onsite Service Renewal, Next Business Day
Part #	User Replaceable Parts
40X0956	W850 Fuser Maintenance Kit 110-120V
Part #	Installation Service
2351541	W850 Install, De-Install Service

In the box
 Lexmark W850dn Laser Printer, Duplex unit, Up to 35,000*-page High Yield Toner Cartridge, Photoconductor kit, Software and Documentation CD, Setup Guide or sheet (network and local attachment), Power cord(s), Statement of limited warranty / guarantee, Lexmark Cartridge Collection Program information, Safety sheet or booklet



Environmental commitment
 Lexmark believes that the environment is a critical component of responsible business management and clearly demonstrates it by implementing the "4R" strategy: Reduce, Recover, Reuse and Recycle. To learn more about these programs please visit www.lexmark.com/recycle.

Cost-saving and environmental features

- Duplex model is Energy Star compliant
- Duplex printing, Print and Hold (Verify Print), multi-up and support of recycled paper help conserve resources
- Eco-Mode reduces power consumption and Quiet Mode reduces noise
- High Yield and Extra High Yield Print Cartridges and Lexmark Cartridge Collection Program help reduce waste

